



Bobcat®

COMPACT EXCAVATORS

E32 E35



One Tough Animal™

NON-STOP RELIABILITY



Designed to keep going – with tight deadlines, you don't have time for breakdowns

Our E32 and E35 mini-excavators offer maximum reliability – combined with the flexible, compact size you need for even your smallest sites!

By redesigning the boom structure and strengthening the undercarriage with wider sprockets and new sealed track rollers, the E32 and E35 are made even more robust. Rigorous endurance tests confirm the durability and low operating cost of the E32 and E35. The result? First-rate reliability you can count on, plus great residual value.

Confined spaces

With zero tail swing and an X-frame undercarriage for high ground clearance, these compact excavators offer top performance in the most awkward spaces.



Material advantage

As a building contractor, you know that a super design means nothing if you don't build with the best-quality materials. And at Bobcat, we know it, too. All our components are top-of-the-line, from the new sealed, maintenance-free track rollers to the impact-resistant polymer plastic used in the tail- and side-gates. So our machines can resist whatever your site throws at them.





Save money with auto-idle

Our auto-idle feature saves fuel, reduces on-site noise and creates a more comfortable environment for everyone.

SMOOTH AND STRONG

Smooth moves – high power is no longer enough

You need a machine that offers precision finish for your tasks. The E32 and E35 deliver smooth workgroup control, combined with all the hydraulic performance you need.

Whether you are digging a trench or loading trucks, your job demands precision. Utilizing the latest in technology, the E32 and E35 deliver precise control without compromising on cycle times or breakout forces.

Auto-shift to next level

To make operation even easier, the auto-shift travel motors changes automatically between low and high speed, so you can feel the superb travel performance under all working conditions.



NO COMPROMISE ON COMFORT

Great features for extra comfort

Bobcat's spacious and fully featured cabs are legendary, and the Bobcat E32 - E35 cab is no exception. In the E32 and E35 you have less vibration, heat and noise thanks to a lot of features like the new engine, air intake, cooling and exhaust systems. And our cab design gives you more space, visibility and overall comfort. It is similar to the one installed on larger excavators and it can even be further upgraded to match the superior standards on the Bobcat E50 cab. This allows the operator to work without getting tired.

1. Instrument panel

The display is clear and easy to reach. It features an indicator for the automatic light switch-off function, optional keyless ignition and operational information such as hours, rpm and job clock.

2. Well lit work space

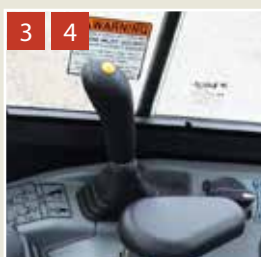
Easy-to-operate gas spring-assisted light and rigid front window.



1 - Standard display



1 - Deluxe display



3. Second speed, auto-shift and auto-idle

The travel motors automatically return to high speed after downshifting under load. This allows smoother turns and easier dozing work. Auto-idle is available as an option to reduce fuel consumption.

4. Floating blade

Automatically controlled blade flotation for quick and easy performance of levelling operations.

5. Thumb control for boom swing and auxiliary hydraulics

A thumb control is integrated in the joystick for better metering of the boom swing and the proportional auxiliary hydraulics.

6. External fuel cap

The external lockable fuel cap makes refuelling easy and safe. For extra convenience when refilling, a warning beep sounds when the maximum fuel level has been reached.



THE CHOICE IS YOURS



E32

- Conventional tail swing
- More compact (in length & width)
- Increased lifting capacity
- 3.3 ton.



E35

- Zero tail swing guarantees operational freedom and peace of mind while working
- 3.5 ton.



Battery kill switch for storage and theft protection



Compact and easy to transport



Maintenance is a breeze, with easy access to all components and centralized grease points. And auto-tensioning belts mean one thing less to take care of!



E32 E35 — SPECIFICATIONS

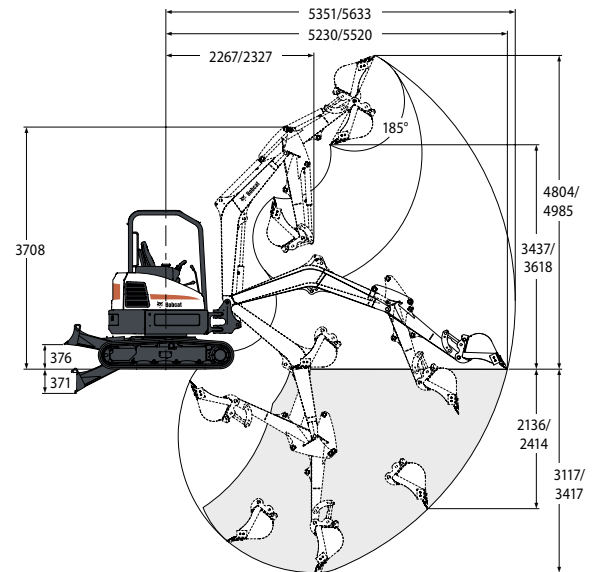
	E32	E35
WEIGHTS		
Operating weight with ROPS canopy, rubber tracks, counterweight, 610 mm bucket (ISO 6016)	3294 kg	3424 kg
Additional weight for cab with heater	121 kg	
Additional weight for cab with HVAC	140 kg	
Additional weight for steel tracks	96 kg	
Additional weight for add on counterweight	295 kg	
Additional weight for long arm with add. counterweight	306 kg	
ENGINE		
Make / Model	Kubota / D1803-M-D1-E3B-BC-3	
Fuel / Cooling	Diesel / Liquid, forced circulation	
Number of cylinders	3	
Displacement	1862 cm ³	
Maximum net power at 2400 RPM (ISO 14396)	24.4 kW	
Maximum net torque at 1400 RPM (SAE J1995)	113.6 Nm	
PERFORMANCE		
Digging force, standard dipperstick (ISO 6015)	20500 N	
Digging force, long dipperstick (ISO 6015)	17800 N	
Digging force, bucket (ISO 6015)	31000 N	
Drawbar pull	34132 N	34043 N
Travel speed, low range	2.6 km/h	
Travel speed, high range	4.7 km/h	
HYDRAULIC SYSTEM		
Pump type	Single outlet variable displacement, load sensing torque limited pump with gear pumps	
Piston pump capacity	100.8 l/min	
Gear pump capacity	9.6 l/min	
Auxiliary flow	63.9 l/min	
Control valve	9-spool, closed centre, individually compensated	
Auxiliary relief	206 bar	
SLEW SYSTEM		
Boom swing, left	75°	
Boom swing, right	55°	
Slew rate	8,6 RPM	
FLUID CAPACITIES		
Cooling system	8.0 l	
Engine lubrication plus oil filter	5.2 l	
Fuel reservoir	53.1 l	
Hydraulic reservoir	8.3 l	
Hydraulic system with bucket and dipper cylinder retracted, bucket on the ground, and blade down	39.7 l	
ENVIRONMENTAL		
Noise level LpA/EU Directive 2006/42/EC	78 dB(A)	
Noise level LWA/EU Directive 2000/14/EC	93 dB(A)	
Whole body vibration (ISO 2631-1)	0.19 ms ⁻²	0.14 ms ⁻²
Hand-arm vibration (ISO 5349-1)	0.38 ms ⁻²	0.44 ms ⁻²

*Roll Over Protective Structure (ROPS) – Meets requirements of ISO 3471. Tip Over Protective Structure (TOPS) – Meets requirements of ISO 12117.

STANDARD FEATURES	OPTIONS
300 mm rubber tracks	Heated cab
Auto idle	Air conditioned cab
Auto shift travel	Steel tracks
Selectable auxiliary hydraulic flow	Deluxe display
Blade float feature	Long dipperstick
Battery kill switch	Additional counterweight
Clamp ready	2nd auxiliary hydraulic lines
Control console locks	Auxiliary quick couplers on arm
Cupholder	Deluxe seat
Double acting auxiliary hydraulics with quick couplers	Direct-to-tank-line
Engine/hydraulic monitor with shutdown	Travel motion alarm
Fingertip auxiliary and off-set hydraulic control	Boom load holding valve
	Object handling certified
	Keyless ignition
	Hydraulic clamp
	Klac coupler
	Lehnhoff coupler
	Bobcat hydraulic pin grabber
	Beacon
	Additional lights
	Fire extinguisher
	Mirrors

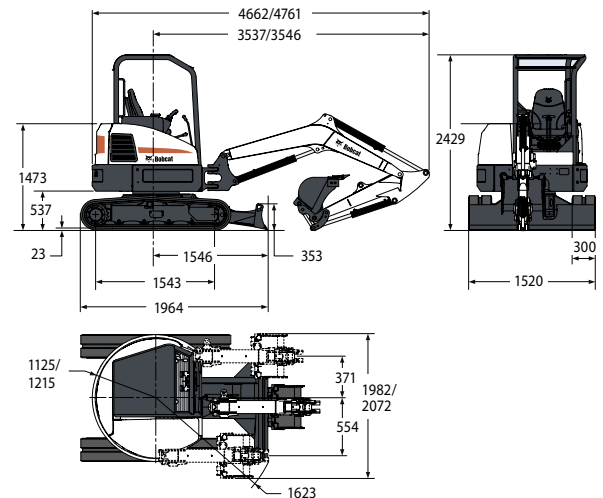
WORKING RANGE - E35

All dimensions in mm.
Standard/long dipperstick



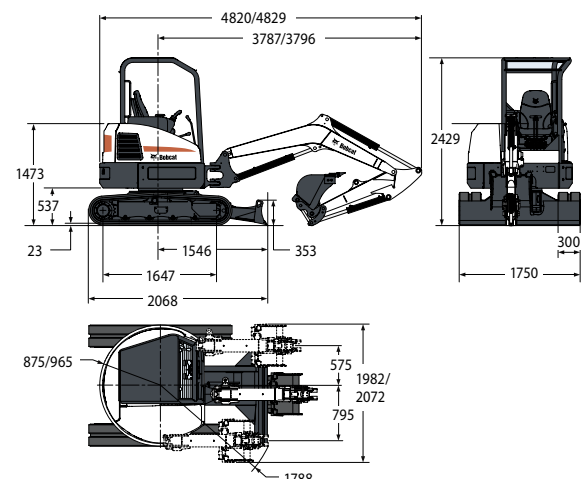
DIMENSIONS - E32

All dimensions in mm - Standard/long dipperstick

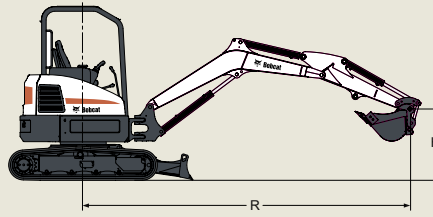


DIMENSIONS - E35

All dimensions in mm - Standard/long dipperstick



E32 E35 — LIFTING CAPACITIES



RATED LIFT CAPACITY - OVER BLADE / BLADE DOWN						RATED LIFT CAPACITY - OVER SIDE / BLADE UP				
Lift Point Height [H]	Lift radius [R] (kg)			Max. radius [R] (mm)	Lift at max. radius (kg)	Lift radius [R] (kg)			Max. radius [R] (mm)	Lift at max. radius (kg)
	2000 mm	3000 mm	4000 mm			2000 mm	3000 mm	4000 mm		
3000 mm		567*		3755	630*		549*		3755	383
2000 mm	1089*	758*	657*	4202	658*	1059*	565	343	4202	300
1000 mm		1051*	767*	4335	699*		506	327	4335	272
Ground	2123*	1184*	828*	4188	744*	896	484	304	4188	283
-1000 mm	1986*	1195*		3721	816*	905	490		3721	356

RATED LIFT CAPACITY - OVER BLADE / BLADE DOWN						RATED LIFT CAPACITY - OVER SIDE / BLADE UP				
Lift Point Height [H]	Lift radius [R] (kg)			Max. radius [R] (mm)	Lift at max. radius (kg)	Lift radius [R] (kg)			Max. radius [R] (mm)	Lift at max. radius (kg)
	2000 mm	3000 mm	4000 mm			2000 mm	3000 mm	4000 mm		
3000 mm		564*		3755	648*		555*		3755	505
2000 mm	1111*	768*	673*	4202	662*	1063*	741*	452	4202	401
1000 mm		1055*	785*	4335	711*		667	439	4335	372
Ground	2209*	1211*	862*	4188	771*	1120	626	422	4188	381
-1000 mm	2049*	1201*		3721	833*	1121	622		3721	475

RATED LIFT CAPACITY - OVER BLADE / BLADE DOWN						RATED LIFT CAPACITY - OVER SIDE / BLADE UP				
Lift Point Height [H]	Lift radius [R] (kg)			Max. radius [R] (mm)	Lift at max. radius (kg)	Lift radius [R] (kg)			Max. radius [R] (mm)	Lift at max. radius (kg)
	2000 mm	3000 mm	4000 mm			2000 mm	3000 mm	4000 mm		
4000 mm				3253	542*				3253	538*
3000 mm			535*	4085	560*			452	4085	448
2000 mm		621*	581*	4494	613*	625*	459	4494	4494	371
1000 mm		916*	697*	4617	658*	684	430	4617	4617	343
Ground	2167*	1159*	809*	4481	716*	1081	626	397	4481	353
-1000 mm	2145*	1199*	789*	4055	779*	1101	597	406	4055	411

RATED LIFT CAPACITY - OVER BLADE / BLADE DOWN						RATED LIFT CAPACITY - OVER SIDE / BLADE UP				
Lift Point Height [H]	Lift radius [R] (kg)			Max. radius [R] (mm)	Lift at max. radius (kg)	Lift radius [R] (kg)			Max. radius [R] (mm)	Lift at max. radius (kg)
	2000 mm	3000 mm	4000 mm			2000 mm	3000 mm	4000 mm		
3000 mm			601*	4004	600*			402	4004	364
2000 mm		750*	660*	4452	647*	610	384	4452	4452	292
1000 mm		1116*	818*	4585	702*	549	363	4585	4585	267
Ground		1333*	952*	4438	763*	519	346	4438	4438	272
-1000 mm		1286*	892*	3971	855*	515	346	3971	3971	331

RATED LIFT CAPACITY - OVER BLADE / BLADE DOWN						RATED LIFT CAPACITY - OVER SIDE / BLADE UP				
Lift Point Height [H]	Lift radius [R] (kg)			Max. radius [R] (mm)	Lift at max. radius (kg)	Lift radius [R] (kg)			Max. radius [R] (mm)	Lift at max. radius (kg)
	2000 mm	3000 mm	4000 mm			2000 mm	3000 mm	4000 mm		
3000 mm			600*	4004	623*			490	4004	460
2000 mm		769*	661*	4452	662*	780*	487	4452	4452	374
1000 mm		1146*	795*	4585	721*	702	466	4585	4585	347
Ground		1358*	900*	4438	780*	676	453	4438	4438	365
-1000 mm		1341*	851*	3971	856*	657	453	3971	3971	426

RATED LIFT CAPACITY - OVER BLADE / BLADE DOWN						RATED LIFT CAPACITY - OVER SIDE / BLADE UP				
Lift Point Height [H]	Lift radius [R] (kg)			Max. radius [R] (mm)	Lift at max. radius (kg)	Lift radius [R] (kg)			Max. radius [R] (mm)	Lift at max. radius (kg)
	2000 mm	3000 mm	4000 mm			2000 mm	3000 mm	4000 mm		
4000 mm				3504	533*				3504	511*
3000 mm			515*	4334	543*			542*	4334	431
2000 mm		630*	600*	4744	583*	529	460	4744	4744	364
1000 mm		989*	726*	4867	637*	679	422	4867	4867	337
Ground		1269*	878*	4731	714*	624	424	4731	4731	317
-1000 mm		1301*	842*	4305	765*	616	414	4305	4305	357



Bobcat is a Doosan Company.
Doosan is a global leader in construction equipment, power & water solutions, engines, and engineering proudly serving customers and communities for more than a century. | Bobcat and the Bobcat logo are registered trademarks of Bobcat Company in the United States and various other countries.
©2016 Bobcat Company. All Rights Reserved.

* Rated hydraulic lift capacity
The lifting capacities are based on ISO 10567 and do not exceed 75 % of the static tilt load of the machine or 87 % of the hydraulic lifting capacity of the machine. The lifting capacities include a standard 500 mm bucket (69 kg)



Bobcat®

www.bobcat.com

Specifications and design are subject to change without notice. Pictures of Bobcat products may show other than standard equipment.