

FAST FACTS

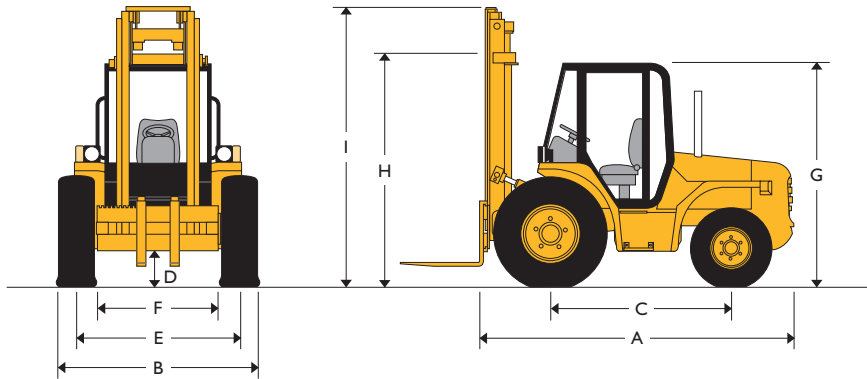
- **OPERATORS AREA**
Comfortable, spacious design with excellent visibility.
- **STANDARD SIDESHIFT**
All masts sideshift except 30'. Easy placement of materials.
- **RANGE OF MASTS**
Clearview and Freelift 12' 0" to 30' 0" lift height.
- **VISIBILITY**
High visibility, see-through masts.
Improved hood and counterweight improve rearward visibility.
- **LIFT PERFORMANCE**
930 – 6,000lbs. capacity.
940 – 8,000lbs. capacity.
- **CYCLE TIMES**
High speed masts to increase productivity.
- **POWER**
76HP – Maximizing power to weight ratio.



JCB ROUGH TERRAIN FORKLIFTS | 930/940



STATIC DIMENSIONS



Lifting performance and stability conform to ANSI B56.6 1992. The lift capacities relate to a standard machine equipped with standard 48in. (1.22m) pallet forks. The use of any attachment reduces the lift capacity of the machine. Always refer to and comply with the lift data plate in the machine prior to lifting or placing materials.

STATIC DIMENSIONS

		930	940	
A	Overall length to carriage	ft-in (m)	11-9 (3.58)	12-4 (3.76)
B	Overall width	ft-in (m)	7-6 (2.29)	7-6 (2.29)
C	Wheelbase			
	- 2wd	ft-in (m)	6-9 (2.06)	7-0 (2.13)
	- 4wd	ft-in (m)	7-0 (2.13)	7-3 (2.21)
D	Ground clearance			
	- 2wd	ft-in (m)	1-2 (0.36)	0-10 (0.25)
	- 4wd	ft-in (m)	1-0 (0.30)	0-10 (0.25)
E	Tread width	ft-in (m)	6-3 (1.90)	6-3 (1.90)
F	Carriage width (standard)	ft-in (m)	5-6 (1.68)	5-6 (1.68)
G	Travel height: to top of canopy/cab guard	ft-in (m)	8-5 (2.57)	8-5 (2.57)
Turn radius				
	- 2wd	ft-in (mm)	11-7 (3.53)	12-7 (3.84)
	- 4wd	ft-in (mm)	12-3 (3.73)	15-3 (4.65)
Departure angle				
	- 2wd	degrees	38	43
	- 4wd	degrees	43	43
Obstruction angle				
	- 2wd	degrees	57	51
	- 4wd	degrees	51	51
Gradeability				
	- 2wd Loaded	%	50	50
	- 4wd Loaded	%	25	20
	- 2wd Unloaded	%	50	50
	- 4wd Unloaded	%	50	50
Machine weight with following mast*				
	- 12' 0" Clearview	lbs (kg)	12995 (5,894)	15190 (6890)
	- 15' 0" Freelift	lbs (kg)	13985 (6,344)	15190 (6890)
	- 22' 0" Clearview	lbs (kg)	14495 (6,575)	15750 (7145)
	- 22' 0" Freelift	lbs (kg)	14600 (6,624)	15810 (7170)
	- 30' 0" Clearview	lbs (kg)		16645 (7750)
	- 30' 0" Freelift	lbs (kg)		16800 (7620)

*Add 430lbs. for 4WD units.

JCB ROUGH TERRAIN FORKLIFTS | 930/940



JCB ROUGH TERRAIN FORKLIFTS | 930/940



ELECTRICS

12V system.
65amp alternator.

STEERING/BRAKES

Hydrostatic power steering.
2WD/4WD – 34.5° inside / 50° outside steer lock angles.
Oil-immersed, hydraulically actuated, self-adjusting, multi-disc; 940 – servo assisted.

CAB FEATURES

FOPS. Front work light mounted on mast. Foot pedal transmission disconnect. Optional Cab – fully enclosed with defroster and windshield wiper.

OPTIONS AND ACCESSORIES

4 Wheel Drive.
Sound suppression kit.
Heavy-duty air pre-cleaner.
Lighting package includes:–
– 2 headlights
– rear back up light
– 4 turn signals
– hazard and brake lights

TIRES

930 –	2wd	Front: 15.5x25 Traction tires Rear: 14x17.5 Laborer 2WD
940 –	2wd	Front: 15.5x25 Traction tires Rear: 12.5x18 Laborer 2WD
930 & 940 –	4wd	Front: 15.5x25 Traction tires Rear: 14x17.5 Traction

JCB ROUGH TERRAIN FORKLIFTS | 930/940



JCB ROUGH TERRAIN FORKLIFTS | 930/940



PERFORMANCE DIMENSIONS – 930

Max. fork height H ft-in (m)	Overall height lowered I ft-in (m)	Overall height raised ft-in (m)	Freelift ft-in (m)	Mast speed Raise/lower ft/sec (m/sec)	Max. lift capacity lbs (kg)	Max. height of max lift ft-in (m)	Capacity at MFH lbs (kg)	Transport position – mast lowered	
								Overall height ft-in (m)	Overall length ft-in (m)
* 12-0 (3.66) Duplex	9-3 (2.82)	16-0 (4.88)	NA	1.06 (0.32) / 1.49 (0.45)	6,000 (2,722)	12-0 (3.65)	6,000 (2,722)	8-5 (2.56)	13-7 (4.14)
15-0 (4.57) Triplex	8-3 (2.52)	18-0 (5.48)	5-6 (1.67)	1.01 (0.31) / 1.49 (0.45)	6,000 (2,722)	14-9 (4.50)	6,000 (2,722)	8-5 (2.56)	13-7 (4.14)
22-0 (6.70)	10-7 (3.22)	26-0 (7.92)	NA	1.54 (0.47) / 1.35 (0.41)	6,000 (2,722)	15-0 (4.57)	3,500 (1,588)	8-6 (2.59)	16-6 (5.03)
22-0 (6.70)	10-7 (3.22)	26-0 (7.92)	8-2 (2.49)	1.01 (0.31) / 1.49 (0.45)	6,000 (2,722)	15-0 (4.57)	3,500 (1,588)	8-6 (2.59)	16-6 (5.03)
* 28-0 (8.53)	12-7 (3.83)	32-0 (9.75)	NA	0.93 (0.28) / 1.35 (0.41)	6,000 (2,722)	15-0 (4.57)	1,500 (680)	10-0 (3.05)	17-10 (5.44)
* 28-0 (8.53)	12-7 (3.83)	32-0 (9.75)	* 10-2 (3.09)	1.01 (0.31) / 1.49 (0.45)	6,000 (2,722)	15-0 (4.57)	1,500 (680)	10-0 (3.05)	17-10 (5.44)

PERFORMANCE DIMENSIONS – 940

Max. fork height H ft-in (m)	Overall height lowered I ft-in (m)	Overall height raised ft-in (m)	Freelift ft-in (m)	Mast speed Raise/lower ft/sec (m/sec)	Max. lift capacity lbs (kg)	Max. height of max lift ft-in (m)	Capacity at MFH lbs (kg)	Transport position – mast lowered	
								Overall height ft-in (m)	Overall length ft-in (m)
* 12-0 (3.66) Duplex	9-1 (2.77)	16-0 (4.88)	NA	0.79 (0.24) / 1.11 (0.39)	8,000 (3,636)	12-0 (3.65)	8,000 (3,636)	8-5 (2.56)	15-1 (4.60)
15-0 (4.57) Triplex	8-1 (2.46)	18-0 (5.48)	5-0 (1.52)	0.76 (0.23) / 1.11 (0.34)	8,000 (3,636)	14-9 (4.50)	8,000 (3,636)	8-5 (2.56)	15-1 (4.60)
22-0 (6.70)	10-2 (3.10)	26-0 (7.92)	NA	0.84 (0.26) / 1.04 (0.31)	8,000 (3,636)	15-0 (4.57)	4,400 (1,996)	9-4 (2.84)	18-0 (5.48)
22-0 (6.70)	10-2 (3.10)	26-0 (7.92)	7-5 (2.26)	0.76 (0.23) / 1.11 (0.34)	8,000 (3,636)	15-0 (4.57)	4,400 (1,996)	9-4 (2.84)	18-0 (5.48)
30-0 (9.14)	13-1 (3.99)	34-0 (10.36)	NA	0.84 (0.26) / 1.04 (0.31)	8,000 (3,636)	15-0 (4.57)	3,600 (1,633)	10-2 (3.10)	18-8 (5.69)
* 30-0 (9.14)	13-1 (3.99)	34-0 (10.36)	* 10-4 (3.15)	0.76 (0.23) / 1.11 (0.34)	8,000 (3,636)	15-0 (4.57)	3,600 (1,633)	10-2 (3.10)	18-8 (5.69)

Transport position – restraining cables are released for mast to tilt forward at 42°.

Normal operation – mast has forward tilt of 20°, rearward tilt of 10°.

*Call Factory for pricing and availability.

JCB ROUGH TERRAIN FORKLIFTS | 930/940



JCB ROUGH TERRAIN FORKLIFTS | 930/940



ENGINE

76HP JCB Diesel at 2200rpm.
218lb-ft of Torque at 1400rpm.
Glow plug cold start aid.

CARRIAGES/FORKS

Shaft carriages (66")
ITA carriages (60", 72" or 84")
Pallet forks (48", 60" or 72")
Block tines (48")
Brick forks (48")

TRANSMISSION/AXLES

4 Speed Synchro-shuttle.
Foot pedal trans. disconnect.
2 Wheel Drive or 4 Wheel Drive.
Front axle – self locking torque proportioning differential.
Rear axle – (4WD) self locking torque proportioning diff.

MASTS

Light weight.
Large side thrust rollers.
Chains angled for increased visibility.
5:1 safety factor on chains.

HYDRAULICS

Open center gear pump.
14.5gpm @ 2200rpm.

JCB ROUGH TERRAIN FORKLIFTS | 930/940



JCB ROUGH TERRAIN FORKLIFTS | 930/940



THE BEST BACK-UP IN THE BUSINESS

Buy any JCB model and you'll get a complete deal that extends beyond that of any rival.

FINANCE

Your JCB Dealer can meet your financial needs through a variety of plans for leasing, lease purchases with or without options, installment sales contracts and rental programs.

PARTS

JCB Dealers' convenient locations offer excellent 'over the counter' parts availability.

WARRANTY

JCB machines are covered by JCB's one year standard warranty, which is outlined in the JCB 'Certificate of Warranty'. Extended warranty coverage is also available. Contact your JCB Dealer for details.

REGIONAL PARTS DEPOTS

For the breakdown part your dealer may not have in stock, JCB has SDD 'Same Day Dispatch,' from one of two parts distribution centers in the United States and one in Canada.

SERVICE

JCB Dealer service people are committed to keeping your JCB up and running. JCB Dealer mechanics are enrolled in on-going training programs and supported by experienced JCB Service Representatives based throughout North America.



JCB Inc, PO Box 18306, Savannah, GA 31418. Tel: (912) 447-2000. Fax: (912) 447-2299. www.jcb.com

JCB reserves the right to change design, materials and/or specifications without notice. Specifications are applicable to units sold in the United States and Canada. The JCB logo is a registered trademark of J C Bamford Excavators Ltd.

USA 20101-10M-4/03

JCB ROUGH TERRAIN FORKLIFTS | 930/940

Hard Working
by Design